

Please check the box below to proceed.

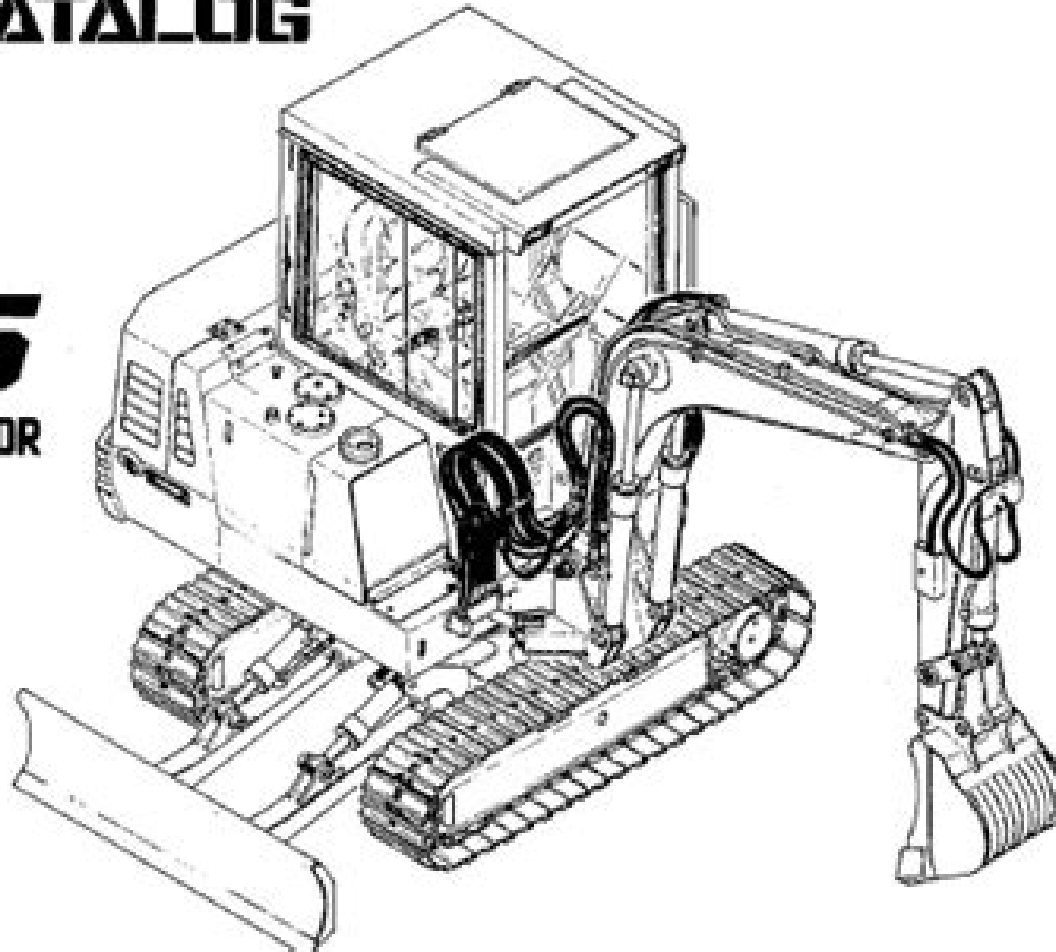
I'm not a robot



reCAPTCHA  
[Privacy](#) - [Terms](#)

# PARTS CATALOG

**TB 36**  
COMPACT EXCAVATOR



# Table of Contents

**Takeuchi Tb36 Compact Excavator Service Parts Catalogue Manual Instant Ebook {Keep in mind that we get quite a few submissions and we cannot warranty a location for the book. Do you want to ensure that the book are going to be extra towards the database? You should purchase a Pro or simply a VIPÂ approach to ensure a spot to your book. You'll be able to learn more in this article.**

### **Why do we use it?**

Takeuchi Tb36 Compact Excavator Service Parts Catalogue Manual Instant Ebook We use cookies to provide you with the very best practical experience. Through the use of our Internet site you comply with our utilization of cookies.

### **Where does it come from?**

Takeuchi Tb36 Compact Excavator Service Parts Catalogue Manual Instant Ebook 9 of Geeky Galaxy's most expected June 2020 book releases, featuring a range of YA and adult fantasy to quench that fantasy itch.

Takeuchi Tb36 Compact Excavator Service Parts Catalogue Manual Instant Ebook Obooko offers some of the most effective modern e-books without cost on line. A lot of printed authors on Obooko are with optimistic reputations and all e-books on the website are totally free to download as PDF Books, Epub, and kindle in entire length.

Near-up Children sit over the window sill of a large window close to the Xmas tree and read intriguing books.

Though reconstructing the days leading up to the Femaleâ€™s disappearance, Tracy is introduced into an active investigation with previous partner Kinsington Rowe. A younger lady has vanished on an isolated jogging path in North Seattle..

Weâ€™d like to spotlight that on occasion, we may skip a perhaps malicious program method. To continue promising you a malware-totally free catalog of packages and applications, our crew has integrated a Report Program attribute in every single catalog webpage that loops your responses back again to us..

**PDF Copyright ID : saei7zfh8mcugvbowyrt**

References:

[Takeuchi Tb36 Compact Excavator Service Parts Catalogue Manual Instant Ebook](#)